

NEXTSTEP MICROSTEPPING DRIVES



NEXTSTEP® MICROSTEPPING DRIVES

An IDC NextStep microstepping drive incorporates all the standard features you expect from a competitive, world class motor/drive package and much more, all at a competitive price. IDC has taken step motor performance to a new level of innovation providing performance enhancements, convenience, and quality resulting in genuine value. The NextStep's revolutionary design consumes significantly less panel space than other fully packaged systems, delivers an industry leading 17 watts/in³, is designed for long life and durability, and most important, the NextStep increases your system's throughput to levels previously unachievable using open-loop positioning systems.

NextStep in Functionality and Flexibility

- Operates from standard line voltages of 120 VAC & 240 VAC
- Accepts step & direction or optional CW/CCW step input
- Descriptive tri-color diagnostic LEDs
- Eight user-selectable drive resolutions of up to 50,000 steps/rev with additional resolutions optional
- Achieves peak step motor performance from the motor supplier of your choice
 - 160 VDC bus voltage (120 version) with selectable motor current setting of up to 7.9 amps
 - 320 VDC bus voltage (240 version) with selectable motor current setting of up to 3.9 amps
 - Adjustable motor current waveform for optimal smoothness, and step to step accuracy
- Built in regenerative circuit safely dissipates energy from large inertial loads

AGENCY APPROVAL

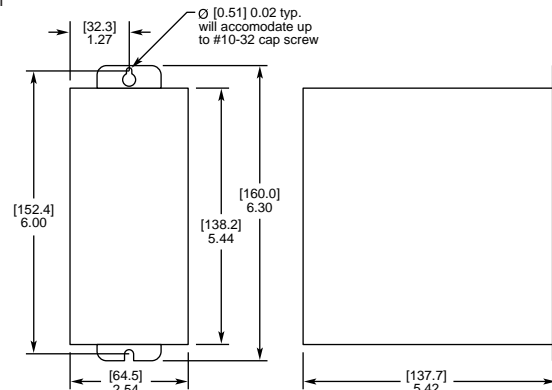
- UL recognized
 - 508C (Type R), file #E137798
- Models CE Compliant: EMC standard EB61800-3 and safety standard EN50178

DRIVE SPECIFICATIONS

	NextStep	NextStep-240
Step Sizes	5000, 10000, 18000, 20000, 25000, 25400, 36000, 50000	
Input Voltage	90 to 120 VAC single phase, 50/60 Hz, 500 VA max @ 7.9 amp setting	100 to 240 VAC single phase, 50/60 Hz, 500 VA max @ 3.9 amp setting
Output Current	0-7.9 amps, 0.1 amp increments. If current setting is higher than 6 amps, drive will fold back current to 6 amps when motor is at rest	0-3.9 amps, 0.1 amp increments. No automatic current fold back feature
Interface	Step Direction	
Outputs	Fault Output	
Protection	Short Circuit, Brownout (Under Voltage), Over Temperature, Interlock, and Regen/Over Voltage	
Package Size	137.16 x 137.16 x 63.5 mm (5.4 x 5.4 x 2.5 in)	

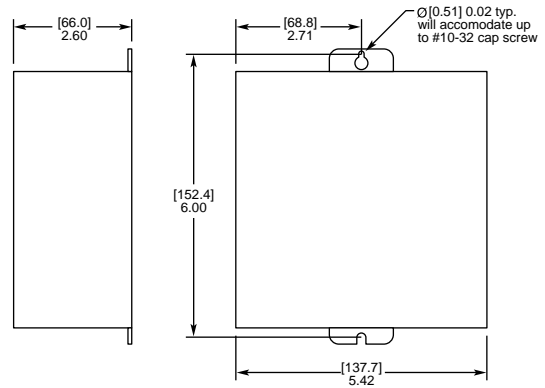
NEXTSTEP (Standard)

[mm] in



NEXTSTEP Minimum Depth (Optional)

[mm] in



SEE SYSTEM RECOMMENDATIONS AND DATA ON PAGES 88-93.